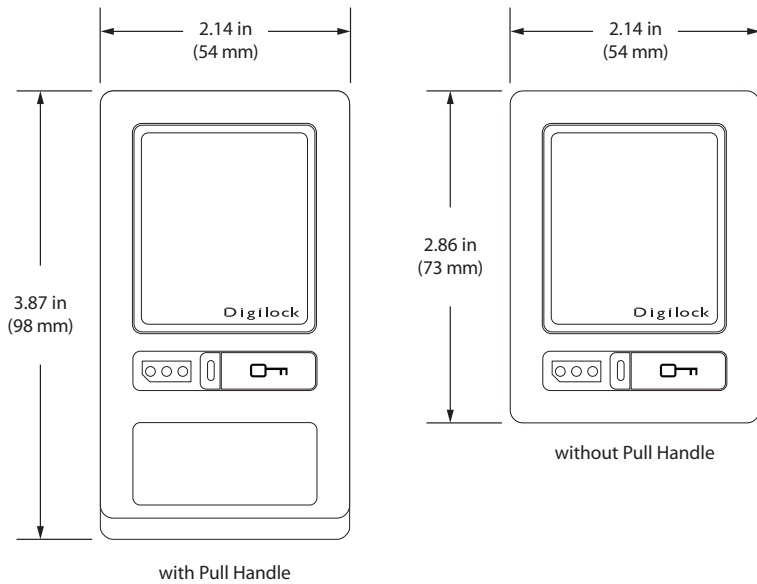


Features

- All metal housing
- RFID operation
- Shared use functionality
- Standard body with or without pull handle
- 1/2" (12 mm) motorized deadbolt
- Operates with any RFID access card
- Tamper guard
- Manager bypass functionality
- Visual & audible usage indicators
- Powered by 4 premium AA batteries
- 3-5 year battery life
- Low battery and binding indicator
- 2 year product warranty
- Compatible RFID standards:
 - ISO 14443A
 - ISO 14443B
 - ISO 15693



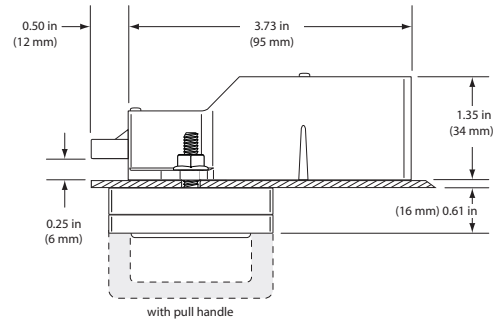
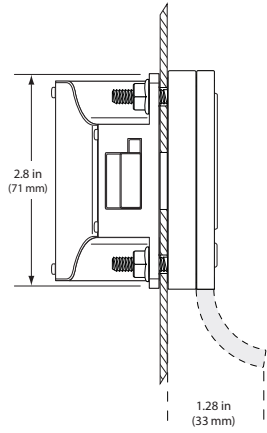
DAR1-ATSI

Surface or recess mount
 Brushed nickel or custom finishes
 Accommodates door thickness of
 0.09"-2.00" (2.2 - 50.8 mm)

- Programming Key with external power
- Manager Bypass Key (up to 25) with external power
- RFID access card (1 per user)
- Accessibility User Key
- Strike plate

Accessories . Options

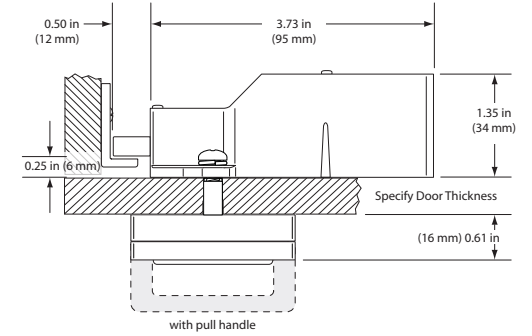
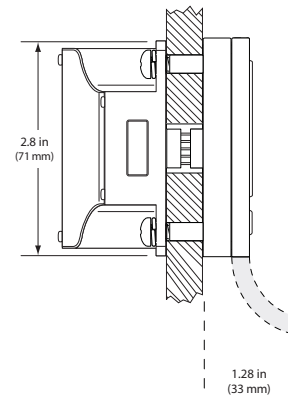
side view



Screw Post
0.01-0.480 in (0.0-12.2 mm) door thickness

top view

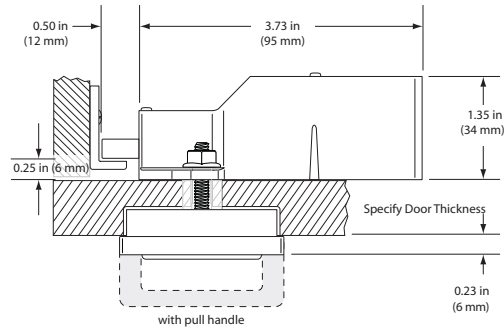
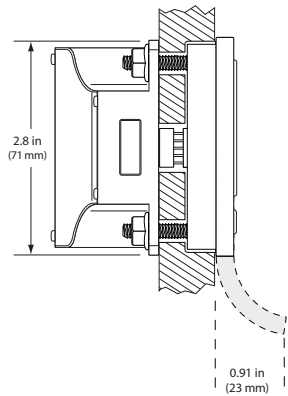
side view



Nut Post
0.480-1.998 in (12.2-50.7 mm) door thickness

top view

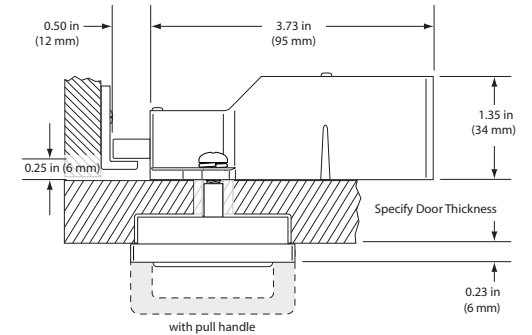
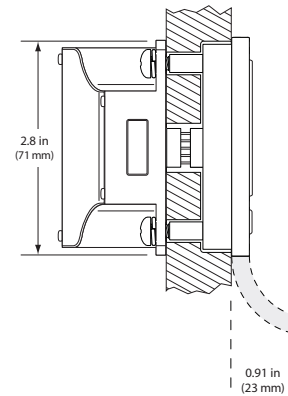
side view



Screw Post
0.370-0.850 in (9.4-21.6 mm) door thickness

top view

side view



Nut Post
0.850-2.368 in (21.6-60.1 mm) door thickness

top view

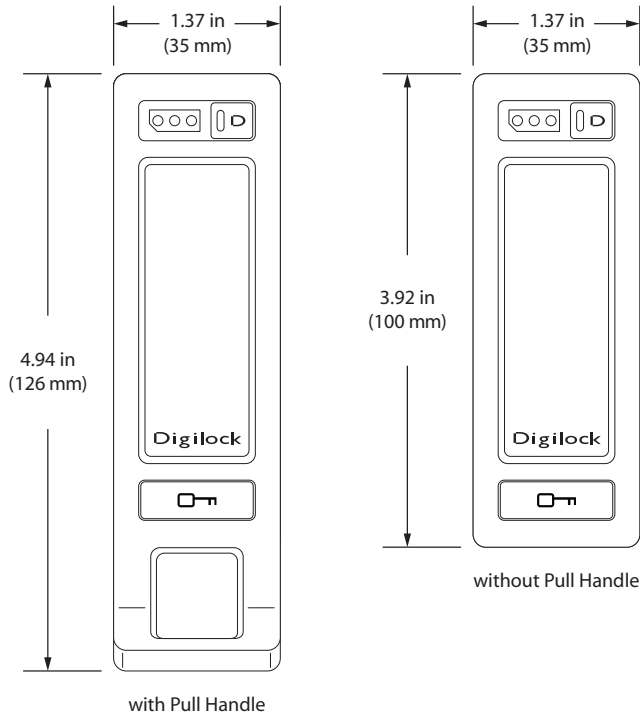


Advanced Security locks with integrated pull handle operated with an Accessibility User Key are fully compliant with the Americans with Disabilities Act (ADA) guidelines set by the U.S. Access Board. All Digilock models can be operated with an Accessibility User Key to meet compliance guidelines.



Features

- All metal housing
- RFID operation
- Shared use functionality
- Vertical body with or without pull handle
- 1/2" (12 mm) motorized deadbolt
- Operates with any RFID access card
- Tamper guard
- Manager bypass functionality
- Visual & audible usage indicators
- Powered by 4 premium AA batteries
- 3-5 year battery life
- Low battery and binding indicator
- 2 year product warranty
- Compatible RFID standards:
 - ISO 14443A
 - ISO 14443B
 - ISO 15693



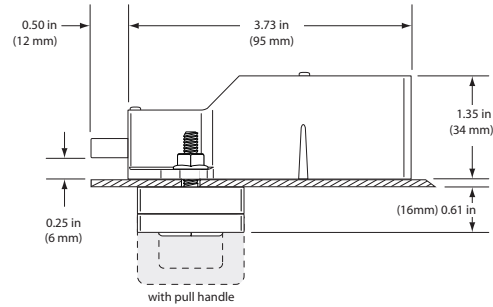
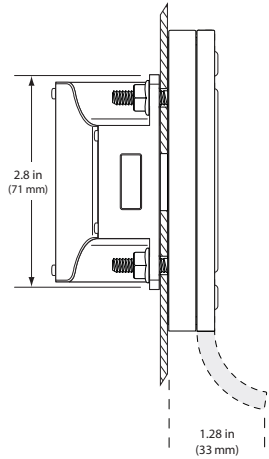
Surface or recess mount
 Brushed nickel or custom finishes
 Accommodates door thickness of
 0.09"-2.00" (2.2 - 50.8 mm)

- Programming Key with external power
- Manager Bypass Key (up to 25) with external power
- RFID access card (1 per user)
- Accessibility User Key
- Strike plate

Accessories . Options

DAR I -ATV I

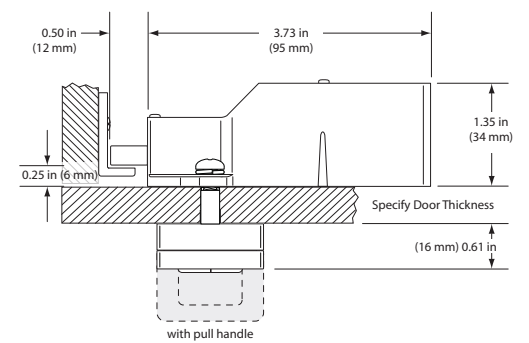
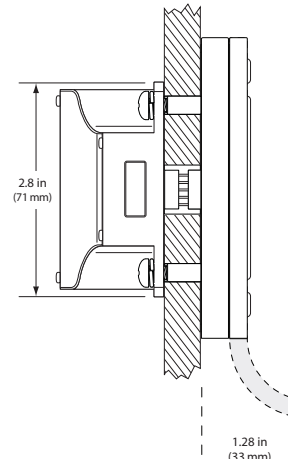
side view



Screw Post
0.01-0.480 in (0.0-12.2 mm) door thickness

top view

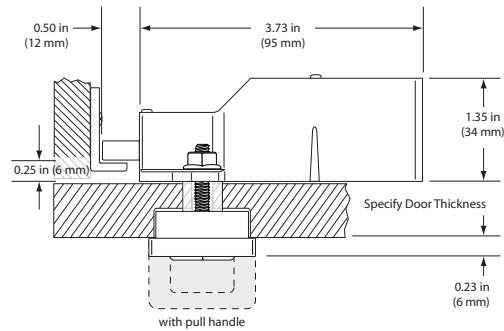
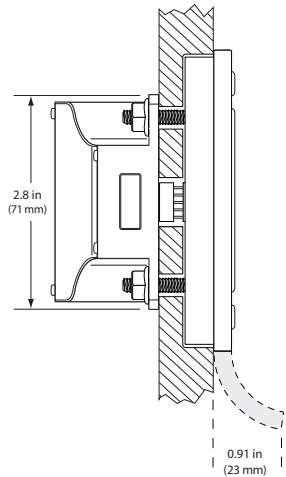
side view



Nut Post
0.480-1.998 in (12.2-50.7 mm) door thickness

top view

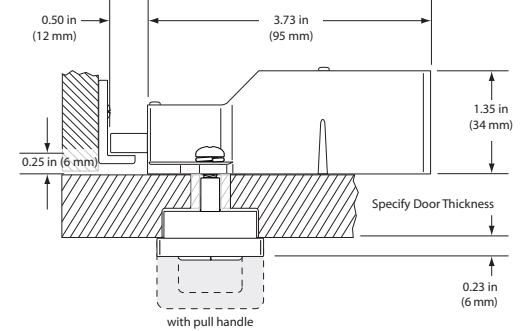
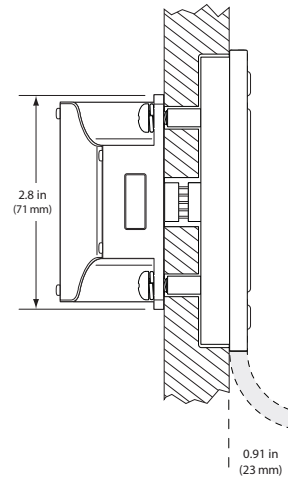
side view



Screw Post
0.370-0.850 in (9.4-21.6 mm) door thickness

top view

side view



Nut Post
0.850-2.368 in (21.6-60.1 mm) door thickness

top view



Advanced Security locks with integrated pull handle operated with an Accessibility User Key are fully compliant with the Americans with Disabilities Act (ADA) guidelines set by the U.S. Access Board. All Digilock models can be operated with an Accessibility User Key to meet compliance guidelines.

